

ICD 2200

High Performance



High Performance Ice Cooled Drop In Dispenser

The ICD 2200 is designed using the highest quality materials and proven technology providing our customers with consistent drink quality.

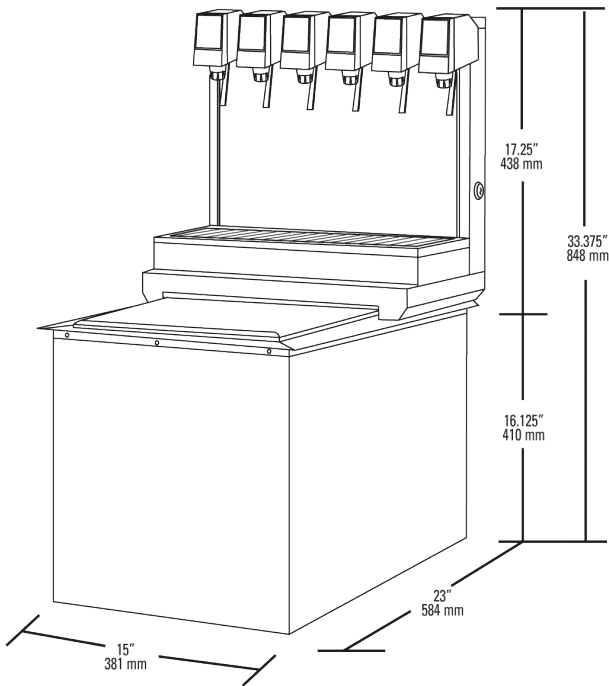
2200 Ice Cooled High Performance Drop In Dispenser

- > Available with five or six valves
- > Stainless steel construction with sealed in cold plate
- > 3/4" drain with strainer to prevent ice blockage
- > Stainless steel flooded soda manifold and multiple plain water configuration
- > Ice bin insulated with CFC free structural foam
- > Tower designed with removable splash plate and drip tray for easy cleaning
- > Optional top merchandiser and back marquee feature lighted graphics for maximum impact
- > Splash guards optional
- > **Dispensing Solutions that *Pour More***



LANCER

lancercorp.com



ICD 2200

High Performance

SPECIFICATIONS

DIMENSIONS

Height: 33.375" (848 mm)
 Width: 15" (381 mm)
 Depth: 23" (584 mm)

COUNTER CUT-OUT

Width: 15.25" (387 mm)
 Depth: 23.25" (591 mm)

ELECTRICAL

115V/60Hz

WEIGHT

Operating: 166 lbs (75 kg)
 Shipping: 145 lbs (65.77 kg)

ICE

Capacity: 60 lbs (27.2 kg)

FITTINGS

Soda Inlets: 3/8" male barb
 Syrup Inlets: 3/8" male barb

VALVES

LEV® and other valves available upon request

FLEX MANIFOLD CONFIGURATION

5 valve 2-2-1
 6 valve 3-2-1

KEY LOCK SWITCH

DRAW PERFORMANCE

Number of Drinks Below 40°F

75°F (24°C) Ambient Temperature
 12oz / 6 drinks per minute

90°F (32°C) Ambient Temperature
 12 oz/4 drinks per minute

[Units can supply drinks under 40°F at rated draw performance continuously as long as ice is kept on cold plate.]

OPTIONS



Marquee



Merchandiser



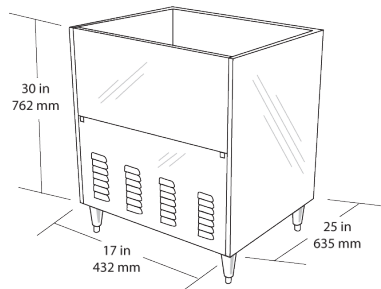
Splash Guards



Power Supply

CONVERSION STAND – 15" X 23"

- > All stainless steel construction
- > Front access panel
- > 6" (152 mm) adjustable legs
- > Allows quick and easy conversion from drop in to free standing unit
- > Shipping Weight: 80 lbs (36.28 kg)



Customer Service:

Should you require more information about our products, please do not hesitate to contact our customer service desk at custserv@lancercorp.com.

Warranty:

For warranty specifics by product, contact your Lancer Sales Representative. Equipment design and/or specifications are subject to change without notice.

Pour More

LANCER

Lancer Corp. 6655 Lancer Boulevard · San Antonio, TX 78219
 210-310-7000 · 1-800-729-1500 · Fax: 210-310-7250



lancercorp.com